



L-Series Scrubber PM Sheet

CUSTOMER & MACHINE INFORMATION			
Customer:			Email:
Address:			Phone:
City:	State:	Zip:	Contact:
Serial #:	Model #:		Work Order #:

NOTE: Start with Machine filled at least with ½ Tank of water. Turn ON Machine and Test Functionality of Machine

CHECK OPERATION & CONDITION OF	IN SPEC	REPAIR	PROBLEM
Key Switch			
Battery Gauge			
Deck Up / Down – Brush Switch			
Brush Pressure +/- Toggle (Optional)			
Vacuum Switch - ON / OFF			
Squeegee Lever - Up/Down			
Solution Switch - ON/OFF			
Solution Flow Lever +/-			
Green Drive Buttons - L & R			
Reverse Toggle Switch			
E-Stop (Optional)			

NOTE: Drain Solution & Recovery Tank fully. Rinse out Recovery Tank

CLEAN & INSPECT – SOLUTION TANK	IN SPEC	REPAIR	PROBLEM
Solution Fill Screen - Mesh			
Solution Fill Hose (Optional)			
Solution Inline Filter			
Vacuum Muffler Drain Hose			
Battery Drain Hose			

BRUSH CONDITION – SCRUB DECK			
Deck Curtains/Wipers	Good	Worn	Needs Replacement
Brush Sockets: (2-Disk)/(4-Cylindrical)	Good	Worn	Needs Replacement
Brush Drivers: (2-Disk)/(4-Cylindrical)	Good	Worn	Needs Replacement
Scrub Brush Fiber Length	Brush 1 Length:	Brush 2 Length:	Rotated Brushes: Y / N

CLEAN & INSPECT – SCRUB DECK	IN SPEC	REPAIR	PROBLEM
Scrub Deck Linkage Pivot Points			
Scrub Deck Lift Actuator			
Scrub Deck Level (Orbital Only)			
Scrub Motor Wires			

CLEAN & INSPECT - SQUEEGEE	IN SPEC	REPAIR	PROBLEM
Remove and Wipe off Squeegee			
Check and Rotate Blades as Needed			
Caster Wheels and Height			
Pitch Adjust			
Check Pivot and Knobs			
Squeegee Vac Hose			

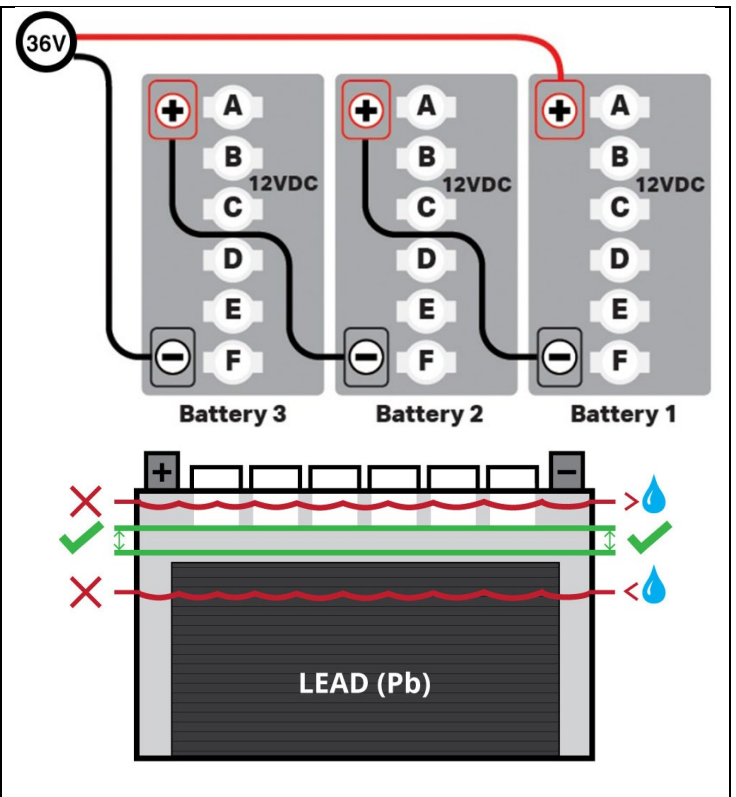
CLEAN & INSPECT – RECOVERY TANK	IN SPEC	REPAIR	PROBLEM
Recovery Tank Lid & Gasket			
Vacuum Float Ball Screen			
Vacuum Box White Filter			
2" Round Final Vac Screen			
Solution Site Tube			

CLEAN & INSPECT – DRIVE	IN SPEC	REPAIR	PROBLEM
Drive Wheels & Casters Condition			
Grease Caster Swivel			



L-Series Scrubber PM Sheet

BATTERY #1	HYDROMETER READING	WATER CLARITY (Circle One)		WATER LEVEL (Circle One)		
Cell A		Clear	Dark	Overfilled	Full	Low
Cell B		Clear	Dark	Overfilled	Full	Low
Cell C		Clear	Dark	Overfilled	Full	Low
Cell D		Clear	Dark	Overfilled	Full	Low
Cell E		Clear	Dark	Overfilled	Full	Low
Cell F		Clear	Dark	Overfilled	Full	Low
BATTERY #2	HYDROMETER READING	WATER CLARITY (Circle One)		WATER LEVEL (Circle One)		
Cell A		Clear	Dark	Overfilled	Full	Low
Cell B		Clear	Dark	Overfilled	Full	Low
Cell C		Clear	Dark	Overfilled	Full	Low
Cell D		Clear	Dark	Overfilled	Full	Low
Cell E		Clear	Dark	Overfilled	Full	Low
Cell F		Clear	Dark	Overfilled	Full	Low
BATTERY #3	HYDROMETER READING	WATER CLARITY (Circle One)		WATER LEVEL (Circle One)		
Cell A		Clear	Dark	Overfilled	Full	Low
Cell B		Clear	Dark	Overfilled	Full	Low
Cell C		Clear	Dark	Overfilled	Full	Low
Cell D		Clear	Dark	Overfilled	Full	Low
Cell E		Clear	Dark	Overfilled	Full	Low
Cell F		Clear	Dark	Overfilled	Full	Low



CLEAN & INSPECT - BATTERIES	IN SPEC	REPAIR	PROBLEM
Battery Terminals			
Battery Cables			
Torque Battery Nuts 11ft/lbs			

OPERATE & CONFIRM	IN SPEC	REPAIR	PROBLEM
Fill Solution Tank – ¾ Full			
Scrub & Dry			
Fine Tune Squeegee Adjustments			

COMMENTS & RECOMMENDATIONS

Servicing Distributor: _____

Technician's Name:	Date:	Signature:
Customer's Name:	Date:	Signature: